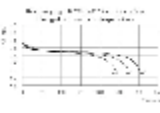
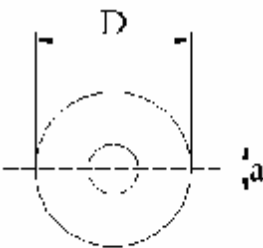
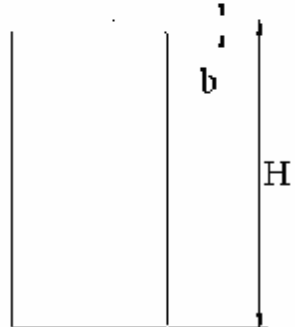
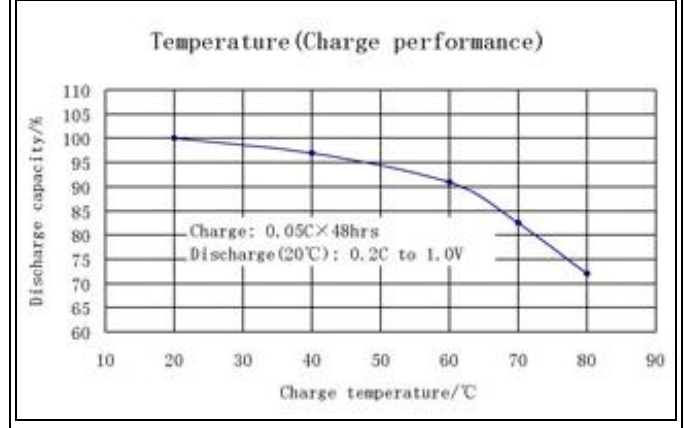
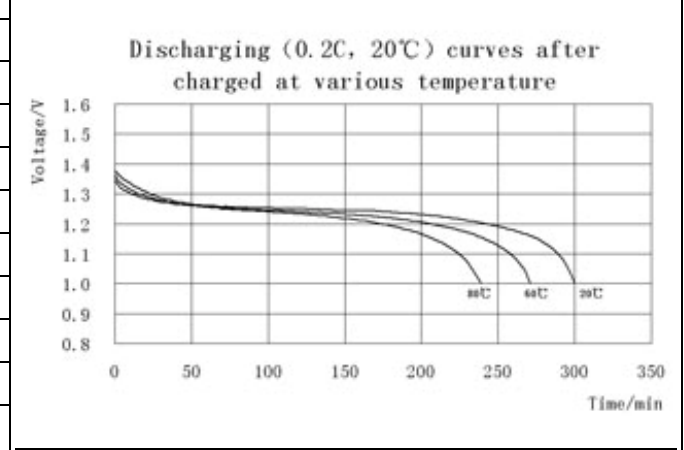
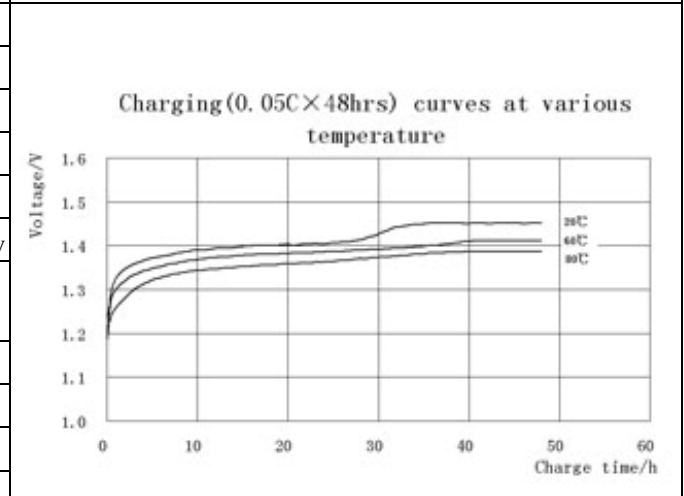




Battery Model: HFR-50CJT4000			
Nominal voltage (V)		1.2	
Capacity* (mAh)	Nominal	4000	
	Minimum	3800	
Charging** 	Standard	190mA×48hours	
	Quick	760mA×7hours	
	Rapid	1900mA×2.4hours $\Delta V=5mV$	
	Trickle	114mA~190mA	
Temperature recommended (°C)	Standard charge	0~80	
	Quick charge	10~70	
	Rapid charge	10~60	
	Discharge	-20~80	
	Storage	-20~30	
Internal resistance		$\leq 15m\Omega$	
End voltage of discharge		1.0V	
Charge (capacity) retention		$\geq 60\%$	
Weight		Approx. 80g	
Dimensions With tube (mm)	D	Diameter	$25.8^{+0}_{-1.0}$
	H	Height	$50.0^{+0}_{-2.0}$
	a	Top diameter	$10.0^{+0.1}_{-0.1}$
	b	Top height	1.5(Minimum)
Drawing			
			

DATASHEET



Note:
 *: Discharge capacity when the battery unit is discharged at 760mA to the 1.0V end voltage after being charged at 380mA for 16 hours
 **: Please discharge to the 1.0V end voltage with 760mA before charging the battery unit.